

FARMI[®] FOREST

PROFITABLE CHOICE - SINCE 1962

FARMI BC 3000

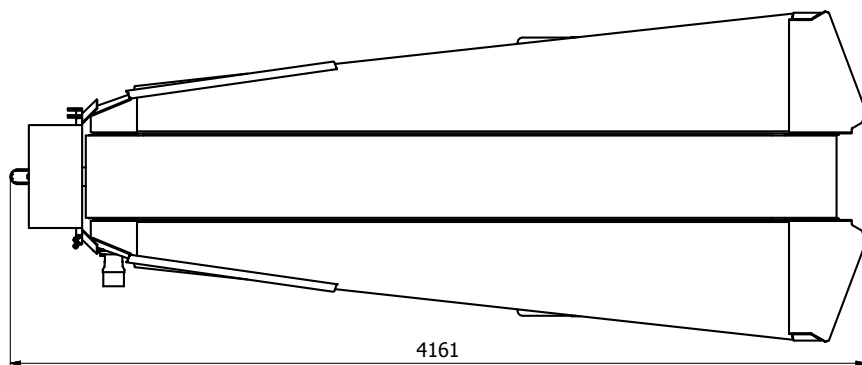
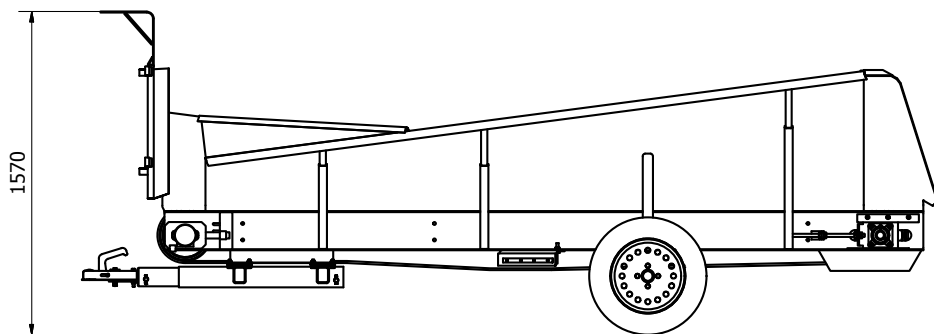
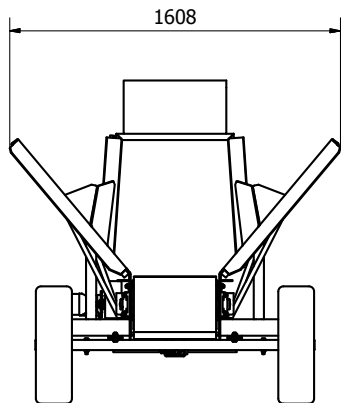
CONVEYOR BELT FEED FOR FARMI CH 260 HF-EL/EM



FARMI BC 3000 makes crane feeding more efficient and easy. It works well with slabs, tree trunks without branches and with short wood waste. BC 3000 is as an optional accessory for CH 260 HF-EL and HF-EM models. Conveyor replaces the standard hopper and it has its own hydraulics connected to chipper. Conveyor comes with 2 wheels, which makes transporting easy. Adjusting between working / transporting position is done by hydraulic cylinder.



Fits also to the older **CH 250 HF-EL** model



TECHNICAL SPECIFICATIONS	FARMI BC 3000
Conveyor belt (length/width)	3 000 mm / 400 mm
Weight	700 kg
Hydraulic pressure	180 bar
Wheel size	175/70 R13



Easy to assemble. Includes a towing hook to be fastened on the base frame of the chipper



BC 3000 EN 2014/06 NHa