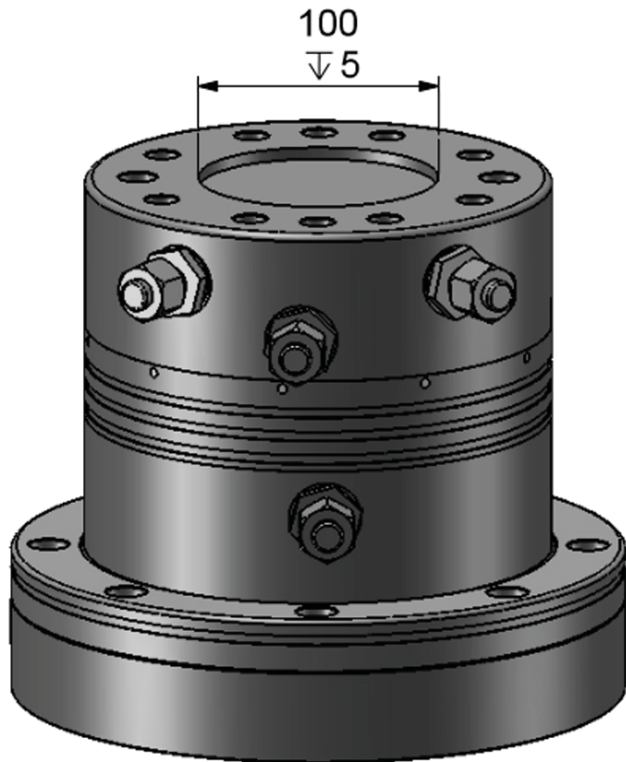
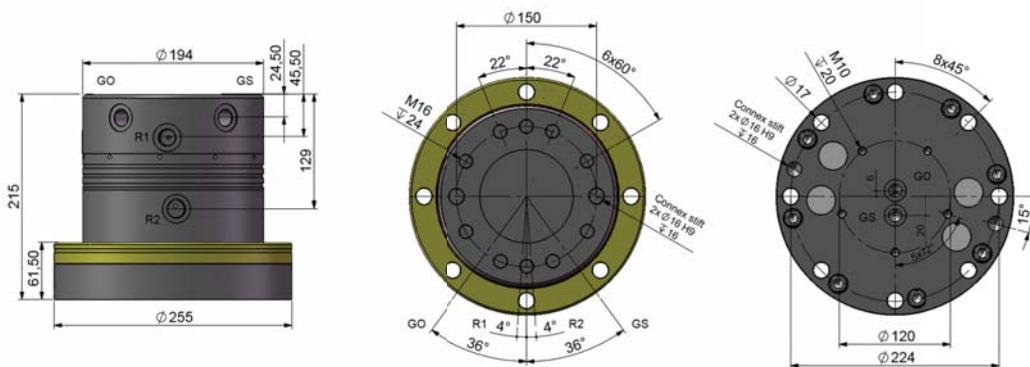


# ROTECH / RMR 6-224



## KEY FEATURES

- High pressure construction
- Endless rotation
- High torque
- Optimized positioning performance
- Steel flange for increased durability



## MODEL SPECIFICATIONS



RMR 6-224

61

16

320

22

360°

2800

G1/2

16

7



**MELIT AP**  
KOMMUNAAL- JA METSATEHNIKA