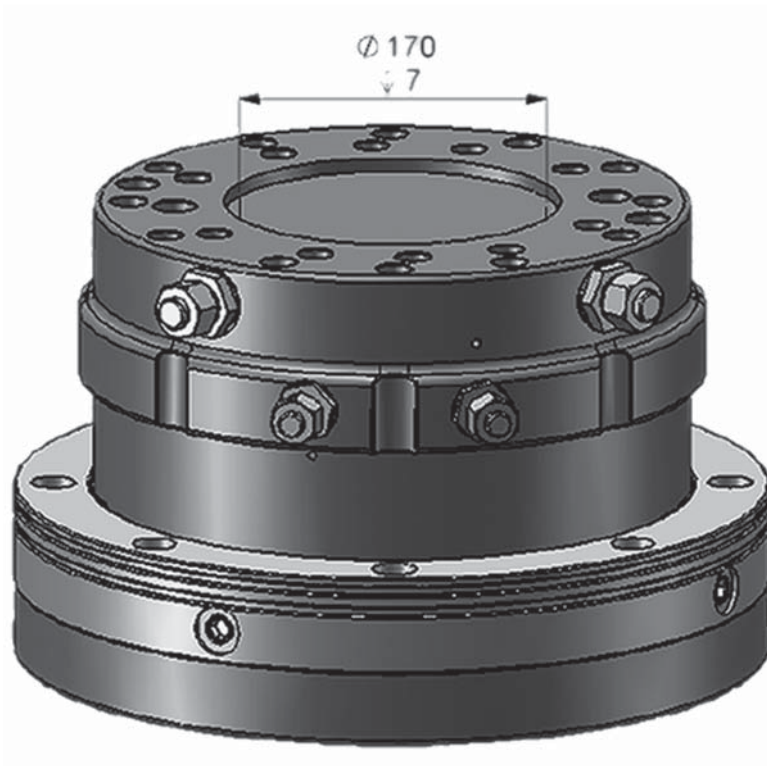
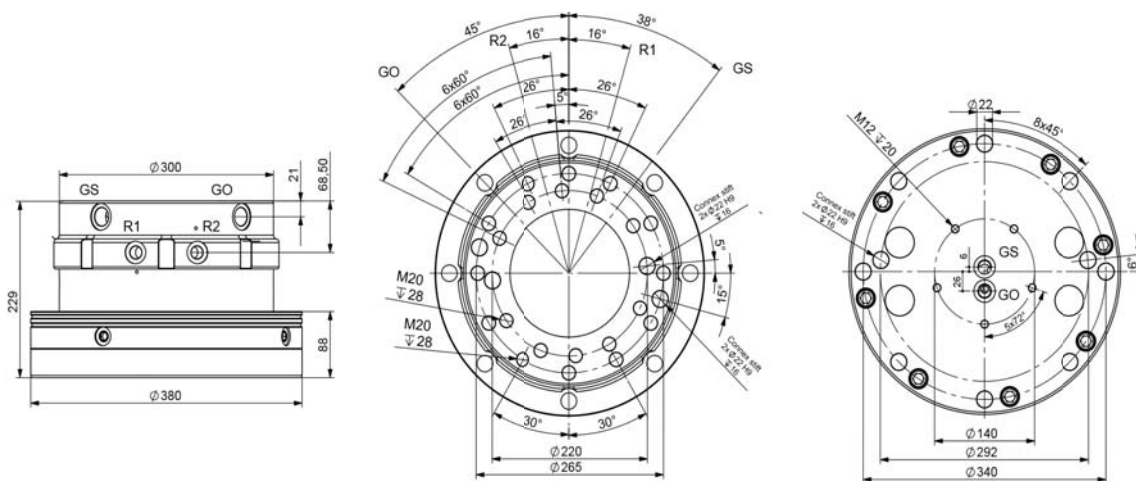


ROTECH / RMR 16 C



KEY FEATURES

- High pressure construction
- Endless rotation
- High torque
- Optimized positioning performance
- Steel flange for increased durability
- Ultra compact design



MODEL SPECIFICATIONS



RMR 16 C

135

38

320

25

360°

4200

1/2"3/4"

38

18



MELIT AP
KOMMUNAAL- JA METSATEHNIKA