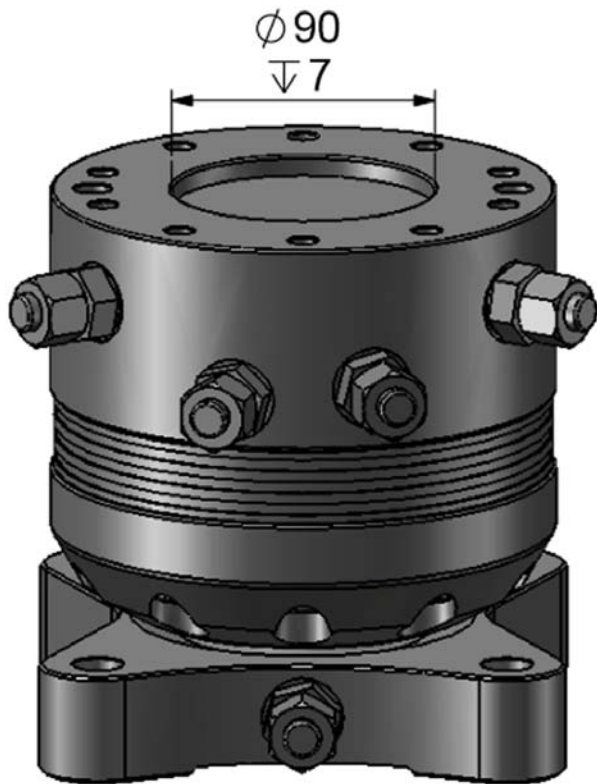
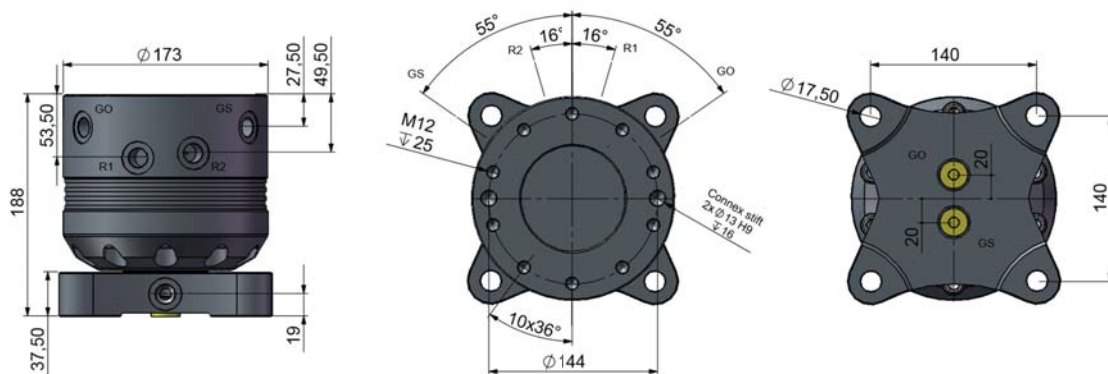


ROTECH / RMR 3



KEY FEATURES

- High pressure construction
- Endless rotation
- Optimized positioning performance
- Ultra compact design



MODEL SPECIFICATIONS



RMR 3

30

5

320

22

360°

1300

M18x1,5

10

3,5



MELIT AP
KOMMUNAAL- JA METSATEHNIKA