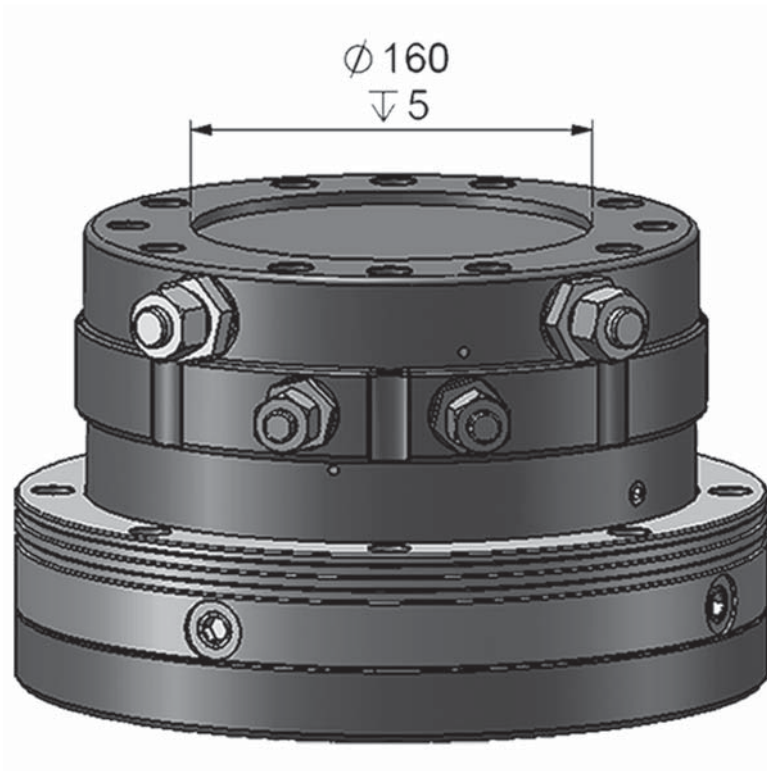
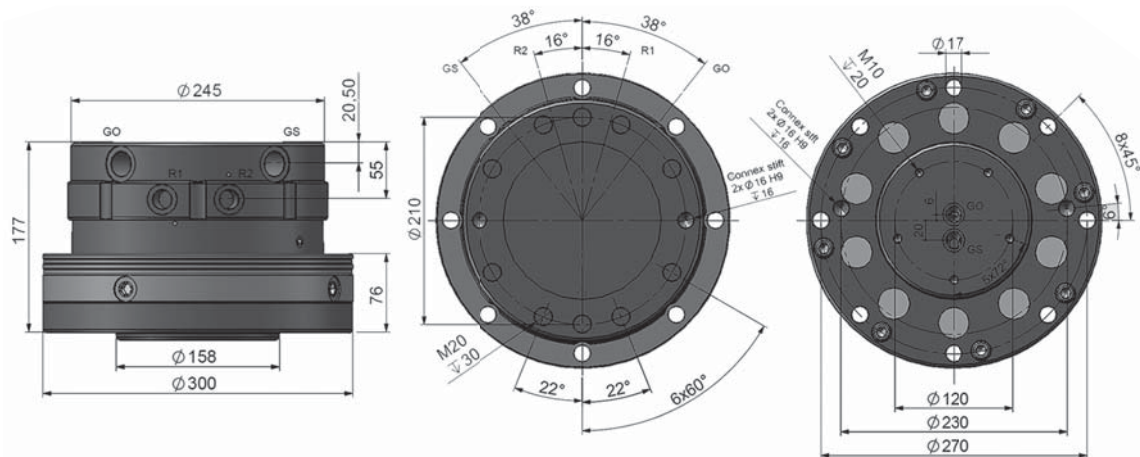


# ROTECH / RMR 8



## KEY FEATURES

- High pressure construction
- Endless rotation
- High torque
- Optimized positioning performance
- Steel flange for increased durability
- Ultra compact design



## MODEL SPECIFICATIONS



RMR 8

68

18

320

25

360°

3600

1/2"3/4"

20

8



**MELIT AP**  
KOMMUNAAL- JA METSATEHNIKA