



# STARK



## STARK COLLECTING SWEEPERS, CSW MODEL

SWEEPING 

- ▶ The professional choice for sweeping streets and yards.
  - ▶ Designed for efficiency.
  - ▶ Good visibility improves safety.
- Reliable, durable and dependable due to its sturdy structure and high-quality components.
  - 900 mm lamellas for better results and improved cost efficiency.
  - The optional high-pressure dust suppression system significantly reduces street dust and water consumption.
  - Hydraulic side sweepers (optional) pivot to the front of the sweeper.
  - When lifted up, side sweepers do not add to the width or the length of the sweeper.
  - The large bottom hatch makes clearing the waste container easy.
  - Sweepers hydraulic motor is integrated into the brush roller.
  - The floating brush roller and adapter ensure professional results and protect the sweeper from damage.
  - Stepless adjustment of sweeper height.
  - The bolt-on STARK FIT adapter can be easily replaced to fit the base machine.
  - Various hydraulic options are available for STARK sweepers.
  - For instance, hydraulic lift of side sweepers disables side sweeper rotation and dust suppression when lifted.



### STANDARD EQUIPMENT

- ▶ Vertical, lateral and longitudinal floating
- ▶ Block hydraulics
- ▶ Mechanical locking of the hydraulic bottom hatch
- ▶ Heavy-duty support wheels

### + ACCESSORIES

- ▶ High-pressure dust suppression system
- ▶ Pressure washer gun with a 15 m hose reel
- ▶ Side sweepers

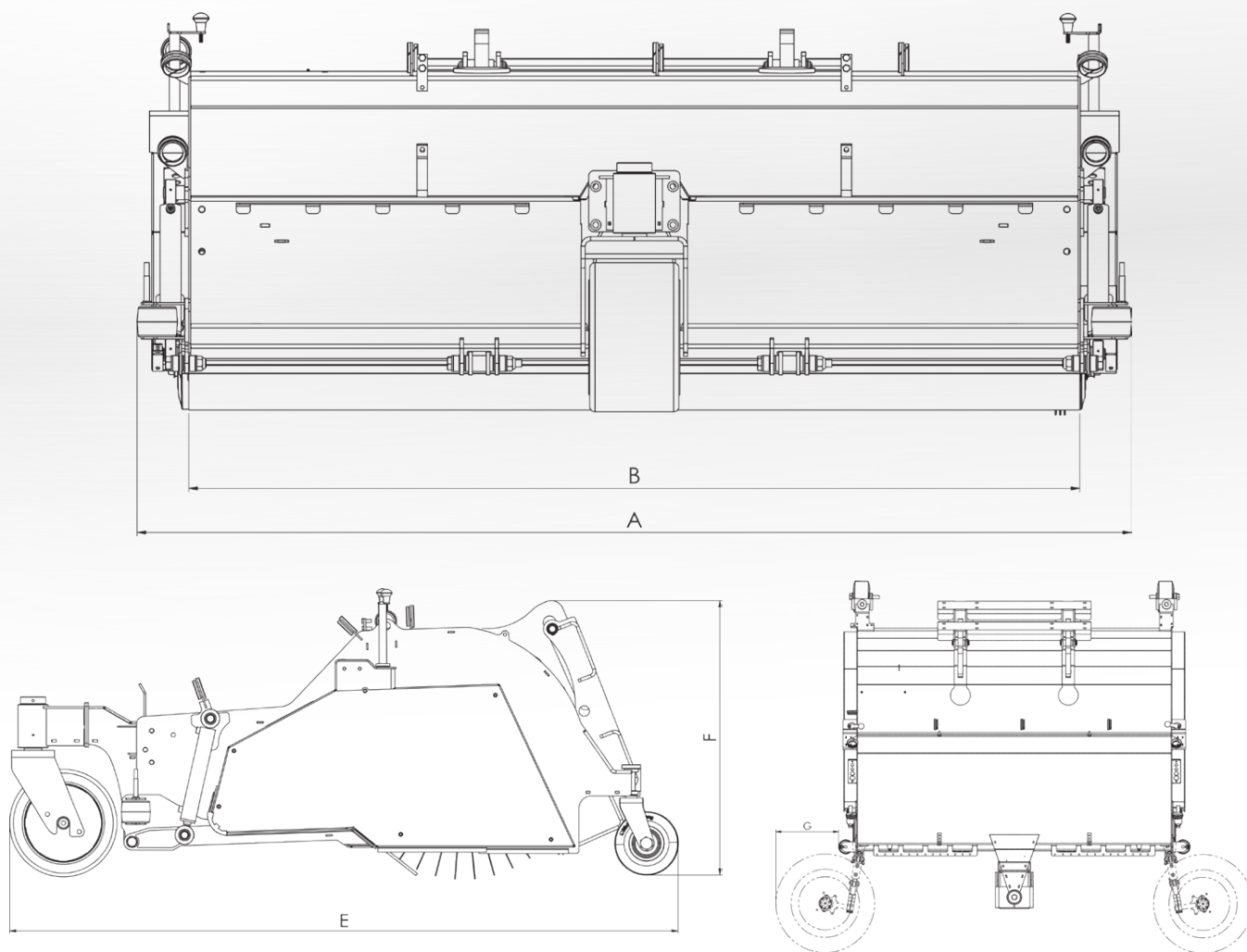


[www.stark.fi](http://www.stark.fi)  
STARK / Lametal Oy



# STARK COLLECTING SWEEPERS, CSW MODEL

## TECHNICAL DRAWINGS



## TECHNICAL DIMENSIONS

| Product  | Max. width mm | Working width mm | Main brush diameter mm | Length mm | Height mm | Side brush working width mm | Watertank L | Bucket volume L |
|----------|---------------|------------------|------------------------|-----------|-----------|-----------------------------|-------------|-----------------|
|          | A             | B                | C                      | E         | F         | G                           | H           | I               |
| CSW 2000 | 2340          | 1885             | 900                    | 2645      | 1070      | 510                         | 480         | 740             |
| CSW 2500 | 2830          | 2485             | 900                    | 2645      | 1070      | 510                         | 610         | 900             |